

# 3000-Series Interfaces

**For all interfaces.**  
**For even more freedom.**

Because demand for our sensors is growing and growing, we have aligned our 3000 series with the needs of our customers and complemented our range. There are now surface-mounted and concealed versions of all sensors

and, wherever it makes sense, round instead of square casings. The true innovation, however, is greater compatibility with the main interfaces. Whether COM1, PF, DALI, KNX or LiveLink - with our 3000 series, even the largest plan can be turned into reality with the least amount of effort. And we

are particularly proud of this: in connection with our Smart Remote remote control, configuration and control can now be performed simply and conveniently via tablet or smartphone.

## COM1

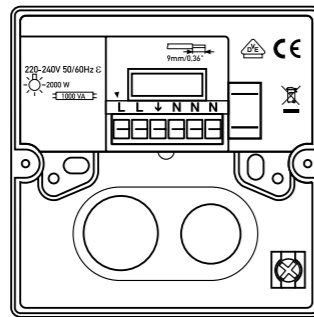
Switching light

**Power supply**  
 220-240 V, 50 / 60 Hz

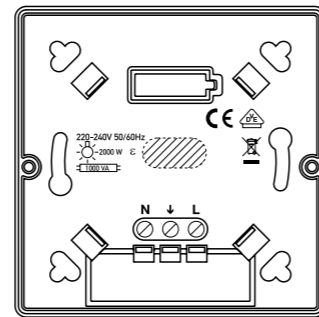
**Output**  
 Incandescent lamps, max. 2000 W at 230 V AC  
 Fluorescent tube, max. 1000 W at  $\cos \phi = 0.5$ , inductive load at 230 V AC  
 8 x max. 58 W,  $C \leq 176 \mu\text{F}$  at 230 V AC

**Time setting**  
 5 s - 15 min + pulse mode (approx. 2 s)

Surface-mounted installation



Concealed installation



## PF

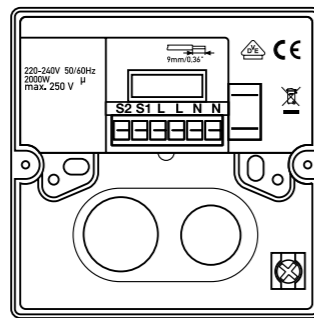
Switching a floating relay

**Power supply**  
 220-240 V, 50 / 60 Hz

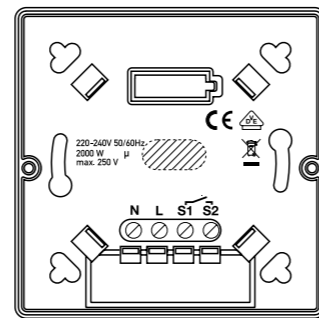
**Output**  
 Non SELV, max. 10 A, 240 V AC/24 V DC, min. 100 mA, 12 V AC/DC

**Time setting**  
 5 s - 15 min + pulse mode (approx. 2 s)

Surface-mounted installation



Concealed installation



## DALI

Digital DIM interface for controlling 1 lighting channel

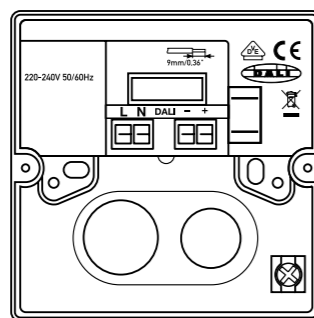
**Power supply**  
 220-240 V, 50 / 60 Hz

**Time setting**  
 5 s - 15 min

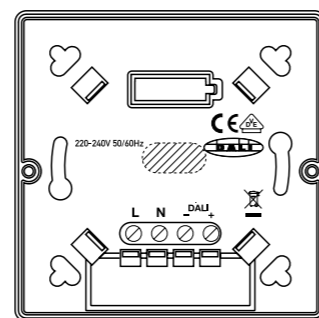
**Control output**  
 2-core DALI control cable / broadcast  
 Controllable DALI electronic ballasts: 30 DALI electronic ballasts

**Constant-lighting control**  
 User-friendly DALI function, basic brightness  
 ON, OFF, 10-30 min, all night, 10-50%

Surface-mounted installation



Concealed installation



## LiveLink

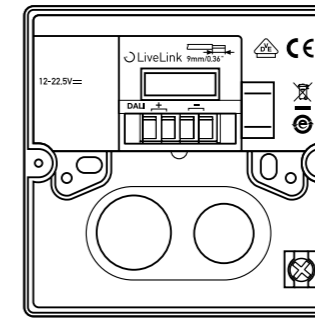
For connecting to the LiveLink light management system

**Power consumption**  
 LiveLink Box 6 mA / 3 DALI users, 16-22.5 V  $\leq$  250 mA

**Control output**  
 DALI control line (multi-master capability for communication with the LiveLink Box)

**Settings**  
 Via LiveLink app

Surface-mounted installation



## KNX

Digital bus interface for controlling 2 lighting channels and HVAC

**Power supply**  
 Via KNX bus voltage

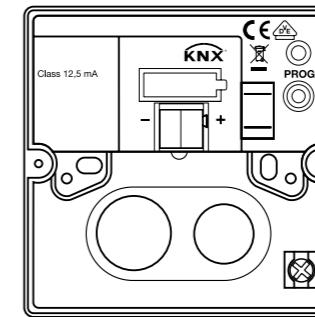
**Settings**  
 Via ETS software, remote control or BUS

**Output, light 1 - light 2**  
 Switching, dimming, basic brightness

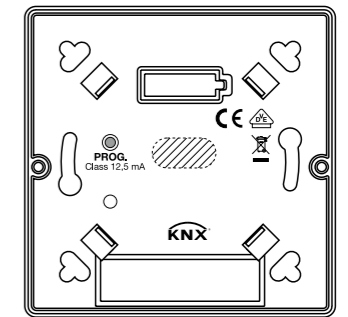
**Further outputs**  
 Sabotage protection

**Basic brightness**

Surface-mounted installation

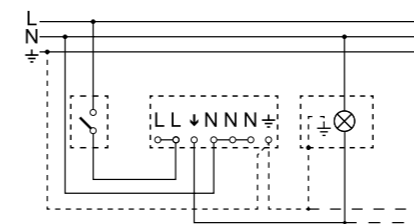


Concealed installation

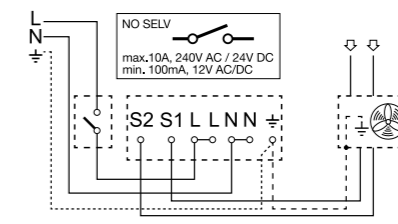


## Connection examples - 3000 series

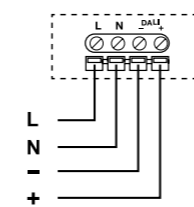
### COM1



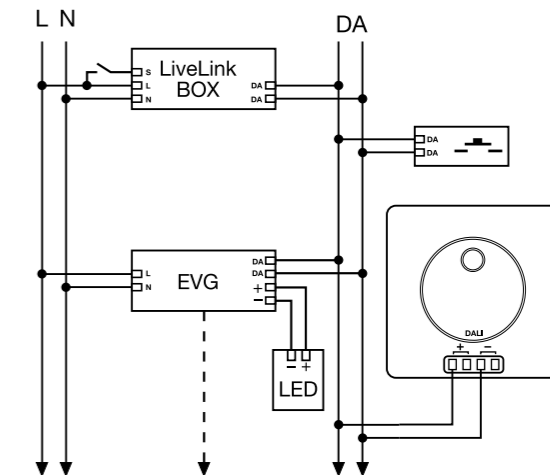
### PF



### DALI

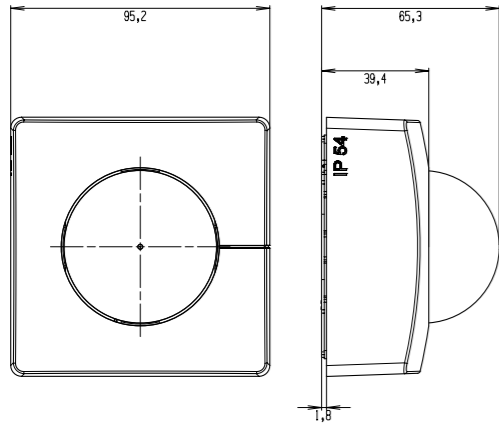


### LiveLink

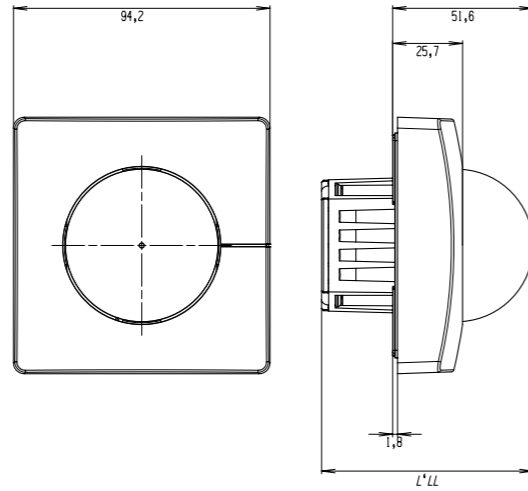


IS 3360 / IS 3360 MX Highbay / IS 345 / IS 345 MX Highbay

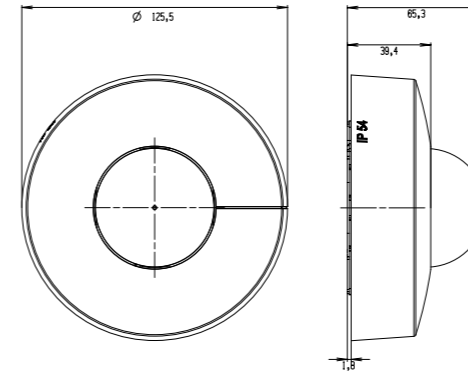
Surface-mounted installation, square



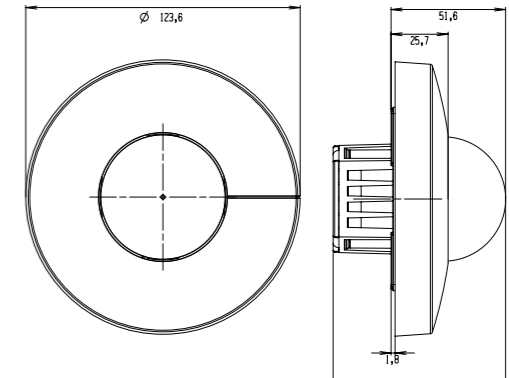
Concealed installation, square



Surface-mounted installation, round

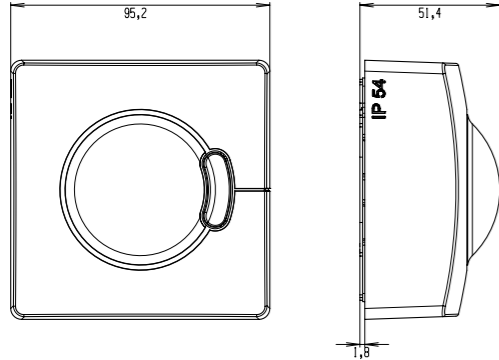


Concealed installation, round

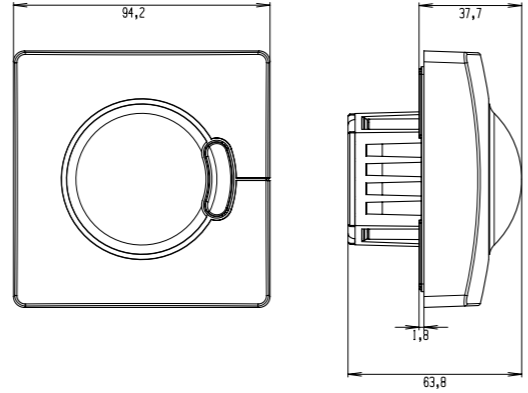


HF 3360

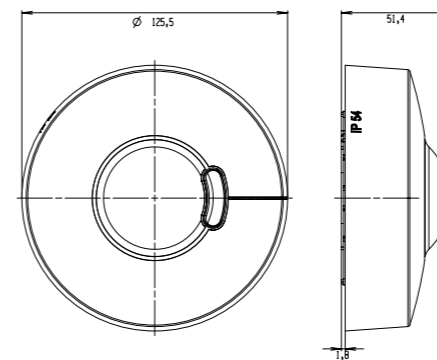
Surface-mounted installation, square



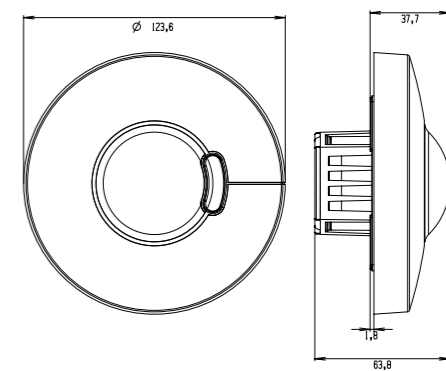
Concealed installation, square



Surface-mounted installation, round

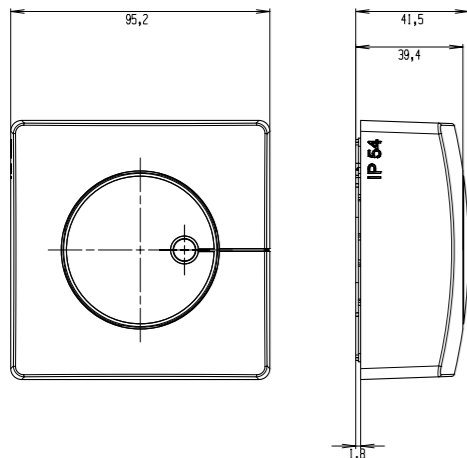


Concealed installation, round

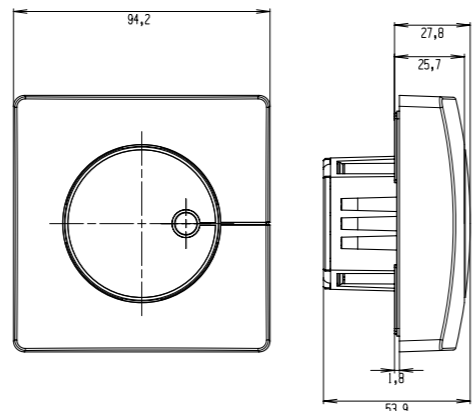


Light Sensor Dual

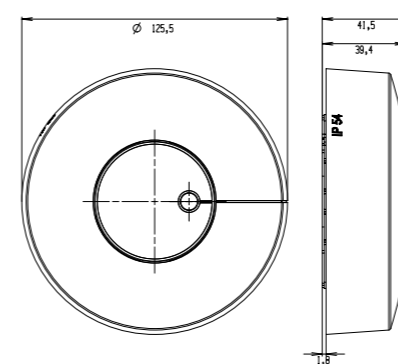
Surface-mounted installation, square



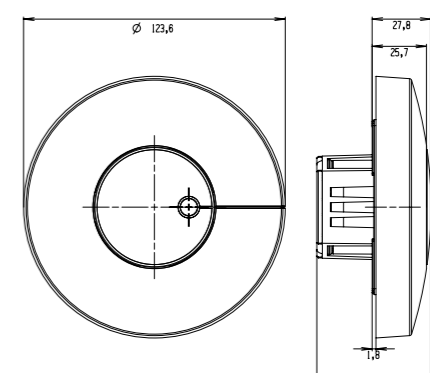
Concealed installation, square



Surface-mounted installation, round



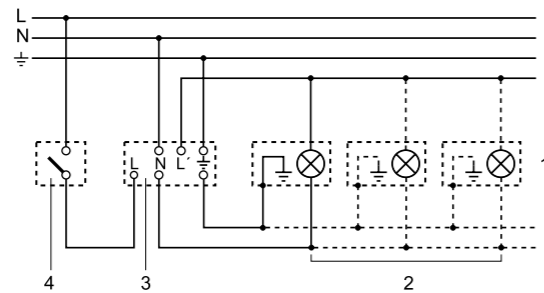
Concealed installation, round



# Wiring Diagrams for Motion Detectors



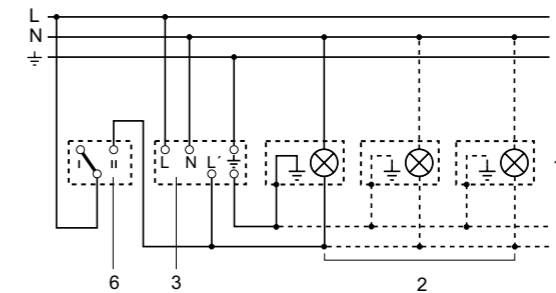
Light without existing neutral conductor



- ❶ e.g. 1 - 4 x 100 W incandescent lamps
- ❷ Load, lighting
- ❸ Sensor connection terminals
- ❹ Indoor switch

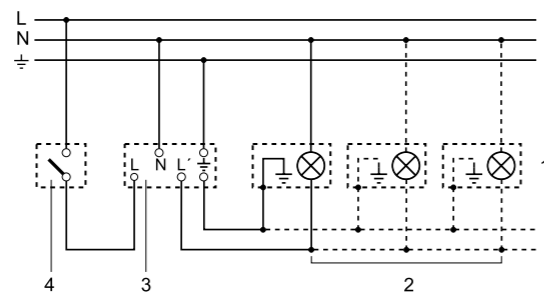
## Connection by a double-throw switch for permanent light and automatic mode

Setting I:  
Automatic mode  
Setting II:  
Manual mode, light ON permanently



- ❶ e.g. 1 - 4 x 100 W incandescent lamps
- ❷ Load, lighting
- ❸ Sensor connection terminals
- ❹ Indoor double-throw switch, automatic, permanent light

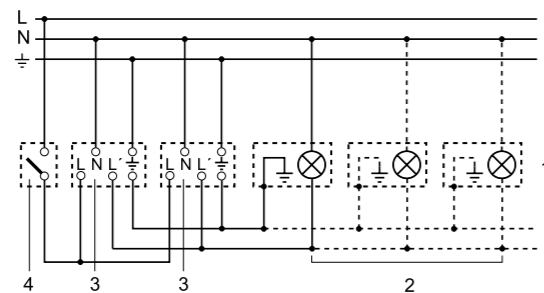
Light with existing neutral conductor



- ❶ e.g. 1 - 4 x 100 W incandescent lamps
- ❷ Load, lighting
- ❸ Sensor connection terminals
- ❹ Indoor switch

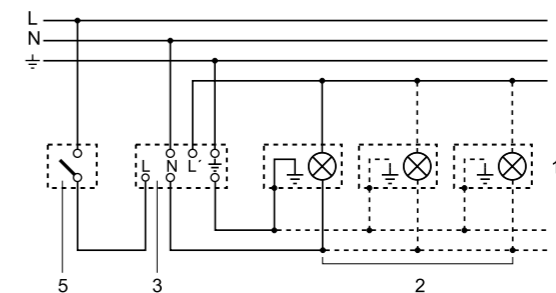
**Note: The system cannot be switched OFF, it is only possible to select operation at setting I or II.**

Several sensors connected in parallel



- ❶ e.g. 1 - 4 x 100 W incandescent lamps
- ❷ Load, lighting
- ❸ Sensor connection terminals
- ❹ Indoor switch

## Connection using two-circuit single-interruption switches for manual and automatic operation



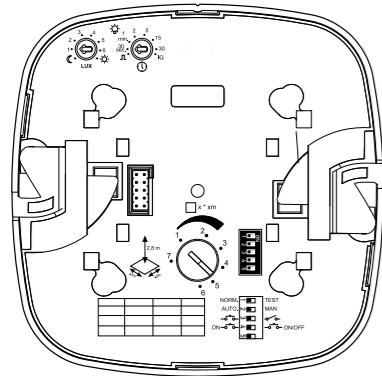
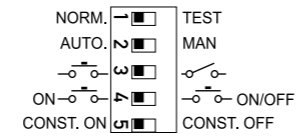
- ❶ e.g. 1 - 4 x 100 W incandescent lamps
- ❷ Load, lighting
- ❸ Sensor connection terminals
- ❹ Indoor two-circuit single interruption switch, manual, automatic

# Presence Detector Interfaces

**Open to all common networks.** STEINEL Professional presence detectors are designed as team players. They are available either with COM1, COM2, DALI, DIM, KNX or LiveLink interfaces, making them easy to integrate as field devices in building networks. The interface to select depends on the applications that are planned. Presence Control PRO devices can be used for operat-

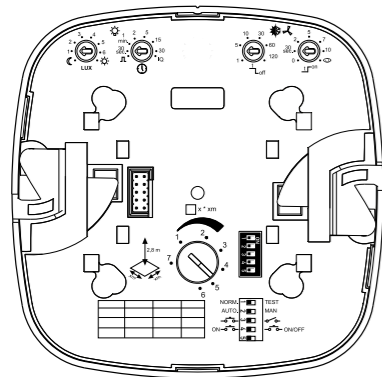
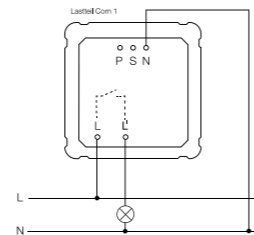
ing and controlling all sorts of different functions: not only for switching light ON and OFF automatically, but also heating, ventilation and air-conditioning systems. Controlling light as and when it is needed; pre-selected settings can be used for maintaining a constant level of lighting in a room – in relation to daylight. Furthermore, they can also provide surveillance-only functions.

**DIP-switch assignment**  
 DIP 1: Normal / test mode  
 DIP 2: Semi- / fully automatic mode  
 DIP 3: Pushbutton / switch mode  
 DIP 4: Pushbutton ON / pushbutton ON-OFF  
 DIP 5: Constant-lighting control ON-OFF (DIM/DALI)



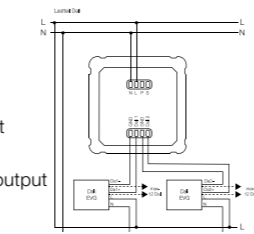
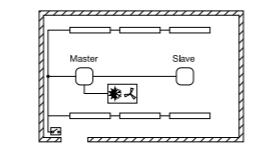
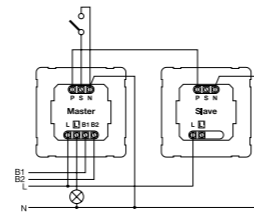
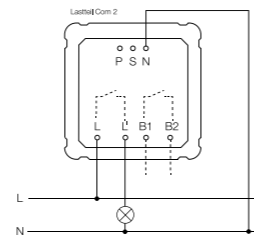
## COM1 – COM1 AP

**Power supply** 220–240 V; 50 / 60 Hz  
**Output, relay 230 V**  
 Resistive load max. 2000 W (cos φ = 1)  
 Resistive load max. 1000 W (cos φ = 0.5)  
 Inrush current max. 800 A / 200 μs  
 • 30 × (1 × 18 W), 25 × (2 × 18 W)  
 • 25 × (1 × 36 W), 15 × (2 × 36 W)  
 • 20 × (1 × 58 W), 10 × (2 × 58 W)  
 Note: each electronic ballast has its own particular inrush current. A relay or contactor must be provided on line side for higher switching capacities.  
**Time setting** 30 sec – 30 min, pulse mode (approx. 2 sec), IQ mode (automatic adjustment to the usage profile)



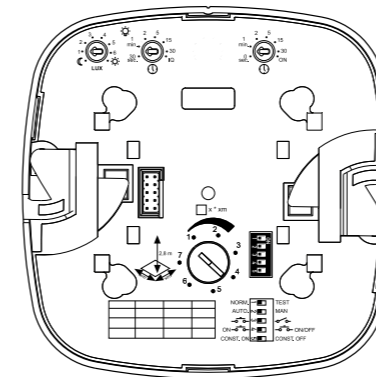
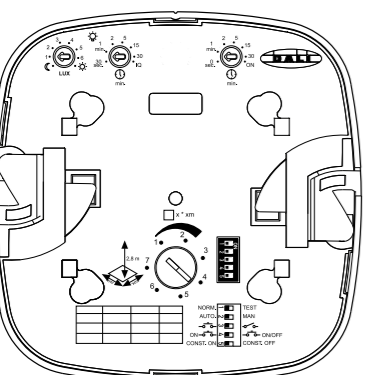
## COM2

**Power supply** 220–240 V; 50 / 60 Hz  
**Output, relay 230 V**  
 Resistive load max. 2000 W (cos φ = 1)  
 Resistive load max. 1000 W (cos φ = 0.5)  
 Inrush current max. 800 A / 200 μs  
 • 30 × (1 × 18 W), 25 × (2 × 18 W)  
 • 25 × (1 × 36 W), 15 × (2 × 36 W)  
 • 20 × (1 × 58 W), 10 × (2 × 58 W)  
 Note: each electronic ballast has its own particular inrush current. A relay or contactor must be provided on line side for higher switching capacities.  
**Output, switching contact 2** presence max. 230 W / 230 V  
 max. 1 A (cos φ = 1) for HVAC (heating/ventilation/air-conditioning)  
**Time setting for switching contact 1**  
 30 sec – 30 min, pulse mode (approx. 2 sec), IQ mode (automatic adjustment to the usage profile)  
**Time setting for switching contact 2**  
 Automatic room surveillance  
 0 sec – 10 min ON delay,  
 1 min – 2 hrs stay-ON time



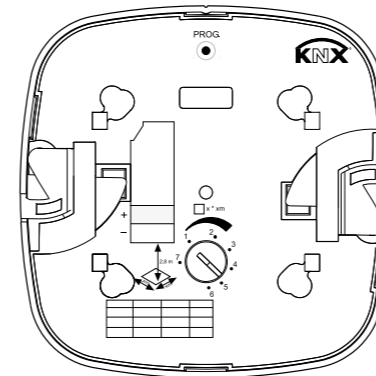
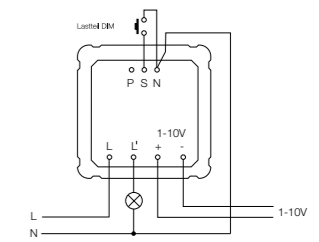
## DALI

**Power supply** 220–240 V; 50 / 60 Hz  
**Time setting** 30 sec - 30 min,  
 IQ mode (automatic adjustment to the usage profile)  
**Control output, DALI output 1:** 2-core DALI control cable / broadcast  
**DALI output 2:** 2-core DALI control cable / broadcast  
 Controllable DALI electronic ballasts: 12 DALI electronic ballasts per output  
**Basic light level** 0 sec–30 min, 10–60% via RC8  
**Constant-lighting control**



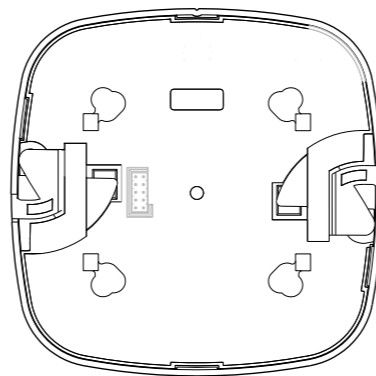
## DIM

**Power supply** 220–240 V; 50 / 60 Hz  
**Output, relay 230 V**  
 Resistive load max. 2000 W (cos φ = 1)  
 Resistive load max. 1000 W (cos φ = 0.5)  
 Inrush current max. 800 A / 200 μs  
 • 30 × (1 × 18 W), 25 × (2 × 18 W)  
 • 25 × (1 × 36 W), 15 × (2 × 36 W)  
 • 20 × (1 × 58 W), 10 × (2 × 58 W)  
 Note: each electronic ballast has its own particular inrush current. A relay or contactor must be provided on line side for higher switching capacities.  
**Time setting** 30 sec - 30 min,  
 IQ mode (automatic adjustment to the usage profile)  
**Control output:** 1–10 V, max. 50 electronic ballasts (max. 100 mA)  
**Basic light level** 0 sec – 30 min, 10–60% via RC8  
**Constant-lighting control**



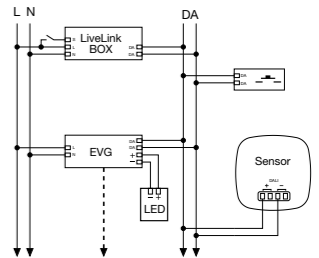
## KNX

**Power supply** via KNX bus voltage  
**Settings** via ETS software, remote control or bus  
**Light channels Light 1 – Light 4** Switching/dimming, switching mode, constant-lighting control, stay-ON time  
**Basic light level** Permanently ON, 1–255 min, 10–50%, all night  
**HVAC output** governed by presence  
**Switch-ON delay** Room surveillance, 0–255 min  
 Stay-ON time 1 – 255 min  
**Output, presence stay-ON time** 1–255 sec or 1–255 min  
**Further outputs** Light level, sabotage protection



## LiveLink

**Power supply:** DALI bus voltage  
**LiveLink output 1** DALI control cable (multi-master capability for communication with the LiveLink Box)  
**Setting capabilities via LiveLink APP**  
 • Reach setting  
 • Twilight setting  
 • Time setting  
 • Semi-automatic / fully automatic  
 • Constant-lighting control  
 • Interconnecting several sensors  
 • Teach mode  
 • Test mode  
 • Daytime operation  
 • IQ mode  
 • Basic brightness  
**Time setting** 1 min – 60 min,  
 IQ mode (automatic adjustment to the usage profile)  
**Power consumption** LiveLink Box  
 6 mA 3-user IR Quattro HD LiveLink  
 12 - 22.5 V, no SELV  
 16 mA 8-user DUAL HF LiveLink  
 7.4 mA 4-user HF 360 LiveLink 13 V



# Presence Switch Interfaces

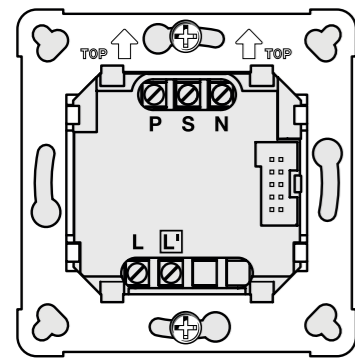
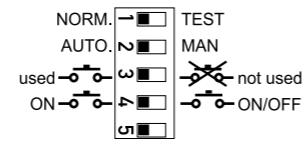
**Team player with numerous connections.**

STEINEL presence switches with 3-wire cabling are available in a number of different versions. Depending on the application you are planning, you can choose between COM1, COM2, DALI or KNX. With COM1, lighting can be switched ON and OFF automati-

cally. The COM2 interface additionally allows you to control heating, ventilation and air-conditioning systems. DALI provides a digital DIM interface for controlling 2 lighting channels, with KNX letting you use your presence switches for automating buildings as well as for controlling 4 lighting channels and HVAC.

## DIP-switch assignment

- DIP 1: Normal / test mode
- DIP 2: Semi- / fully automatic mode
- DIP 3: Pushbutton / switch mode
- DIP 4: Pushbutton ON / pushbutton ON-OFF
- DIP 5: Constant control ON-OFF (DALI)



COM1

## COM1

**Power supply** 220–240 V; 50 / 60 Hz

**Output, relay** 230 V

Resistive load max. 2000 W (cos φ = 1)

Resistive load max. 1000 W (cos φ = 0.5)

Inrush current max. 800 A / 200 μs

- 30 × (1 × 18W), 25 × (2 × 18W)

- 25 × (1 × 36W), 15 × (2 × 36W)

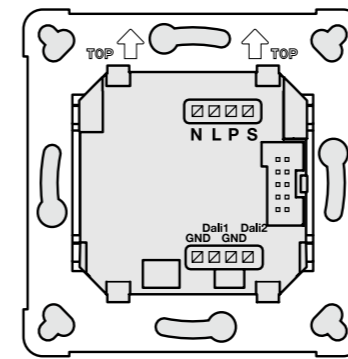
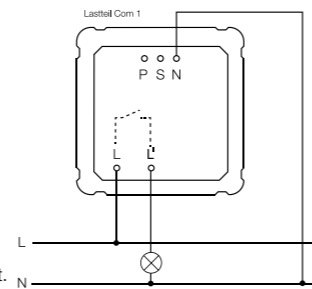
- 20 × (1 × 58W), 10 × (2 × 58W)

Note: each electronic ballast has its own particular inrush current.

A relay or contactor must be provided on line side for higher switching capacities.

**Time setting** 30 s - 30 min, pulse mode (approx. 2 sec), time setting, IQ mode (automatic adjustment to the usage profile)

**Time setting** 30 s - 30 min, pulse mode (approx. 2 sec), time setting, IQ mode (automatic adjustment to the usage profile)



DALI

## DALI

**Power supply** 220–240 V; 50 / 60 Hz

**Time setting** 30 sec - 30 min,

IQ mode (automatic adjustment to the usage profile)

**Control output**

DALI output 1: 2-core DALI control cable / broadcast

DALI output 2: 2-core DALI control cable / broadcast

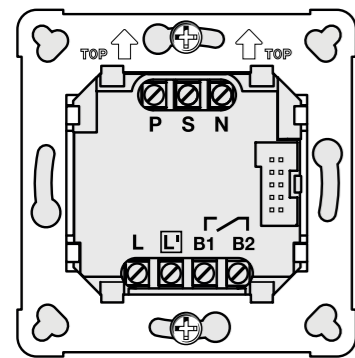
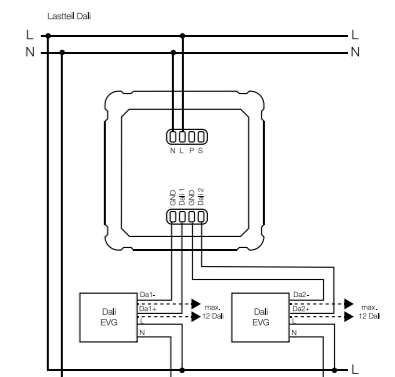
Controllable DALI electronic ballasts:

12 DALI electronic ballasts per output

**Basic brightness** 10-50% for 0-30 min

or all night

**Constant-lighting control**



COM2

## COM2

**Power supply** 220–240 V; 50 / 60 Hz

**Output, relay** 230 V

Resistive load max. 2000 W (cos φ = 1)

Resistive load max. 1000 W (cos φ = 0.5)

Inrush current max. 800 A / 200 μs

- 30 × (1 × 18W), 25 × (2 × 18W)

- 25 × (1 × 36W), 15 × (2 × 36W)

- 20 × (1 × 58W), 10 × (2 × 58W)

Note: each electronic ballast has its own particular inrush current.

A relay or contactor must be provided on line side for higher switching capacities.

**Output, switching contact 2** presence

max. 230 W / 230 V

max. 1 A, (cos φ = 1)

for HVAC (heating, ventilation, air-conditioning)

**Time setting for switching contact 1**

30 sec - 30 min, pulse mode (approx. 2 sec), time setting, IQ mode (automatic adjustment to the usage profile)

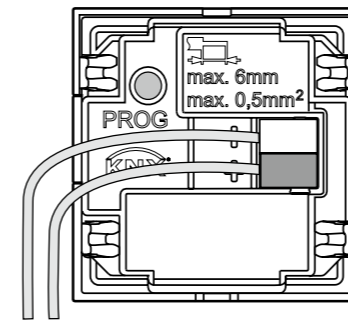
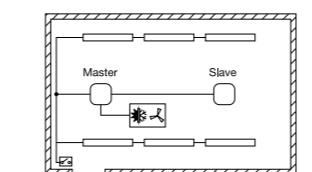
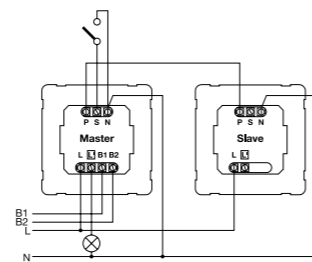
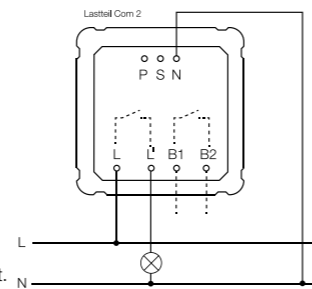
**Time setting for switching contact 2**

Automatic room surveillance

0 s - 10 min switch-ON delay,

5-15 min stay-ON time via (RC),

1 min - 2 h stay-ON time via Smart Remote



KNX

## KNX

**Power supply** via KNX bus voltage (SELV)

**Settings** via ETS software, remote control or bus

**Light channels** Light 1 – Light 4 Switching/dimming, switching mode, constant-lighting control

**Basic brightness stay-ON time** 1 - 255 min, all night

**Basic light level** OFF / 1% - 100%

**HVAC output** governed by presence

**Switch-ON delay** room surveillance, 10 - 255 min

Stay-ON time 1 – 255 min

**Output, presence stay-ON time** 1 - 255 s or min

**Further outputs** Light level, scene control, sabotage, temperature, humidity, button

**Humidity range** 10 - 90%



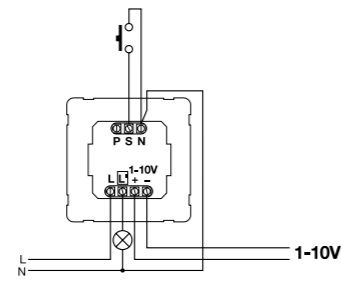
## Interconnected master/master – master/slave system

The presence detector also provide the option of an interconnected master/master and master/slave system.

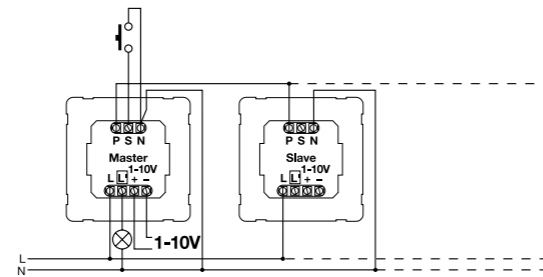
In an interconnected master/master configuration, the detection zone is extended by interconnected detectors with each switching its own load in line with the specific settings of each and every master.

The slaves in an interconnected master/slave system merely extend the detection zone and report presence to the master. Only the master switches the connected load in line with its settings.

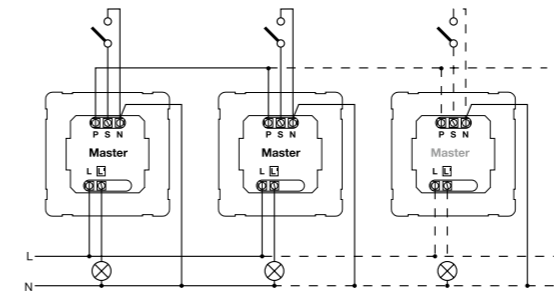
DIM detector



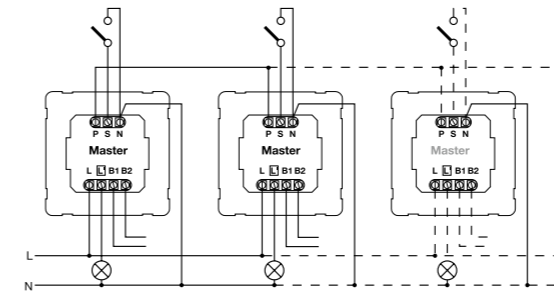
DIM detector with slave



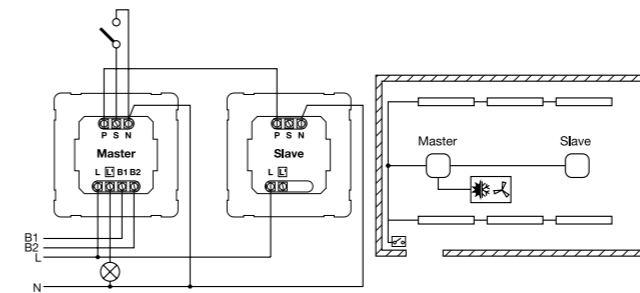
Master/master COM1



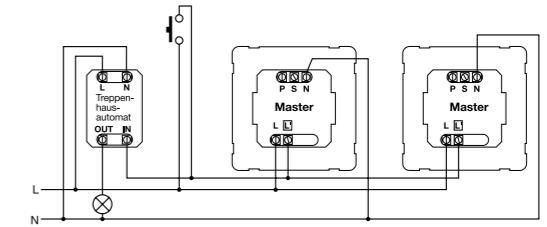
Master/master COM1/COM2



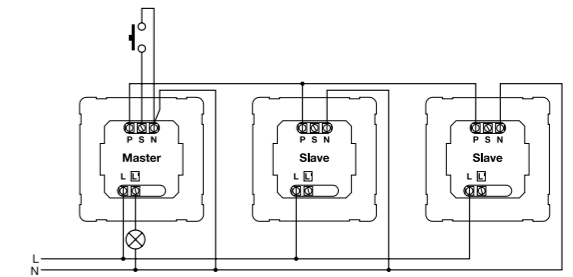
Master-slave

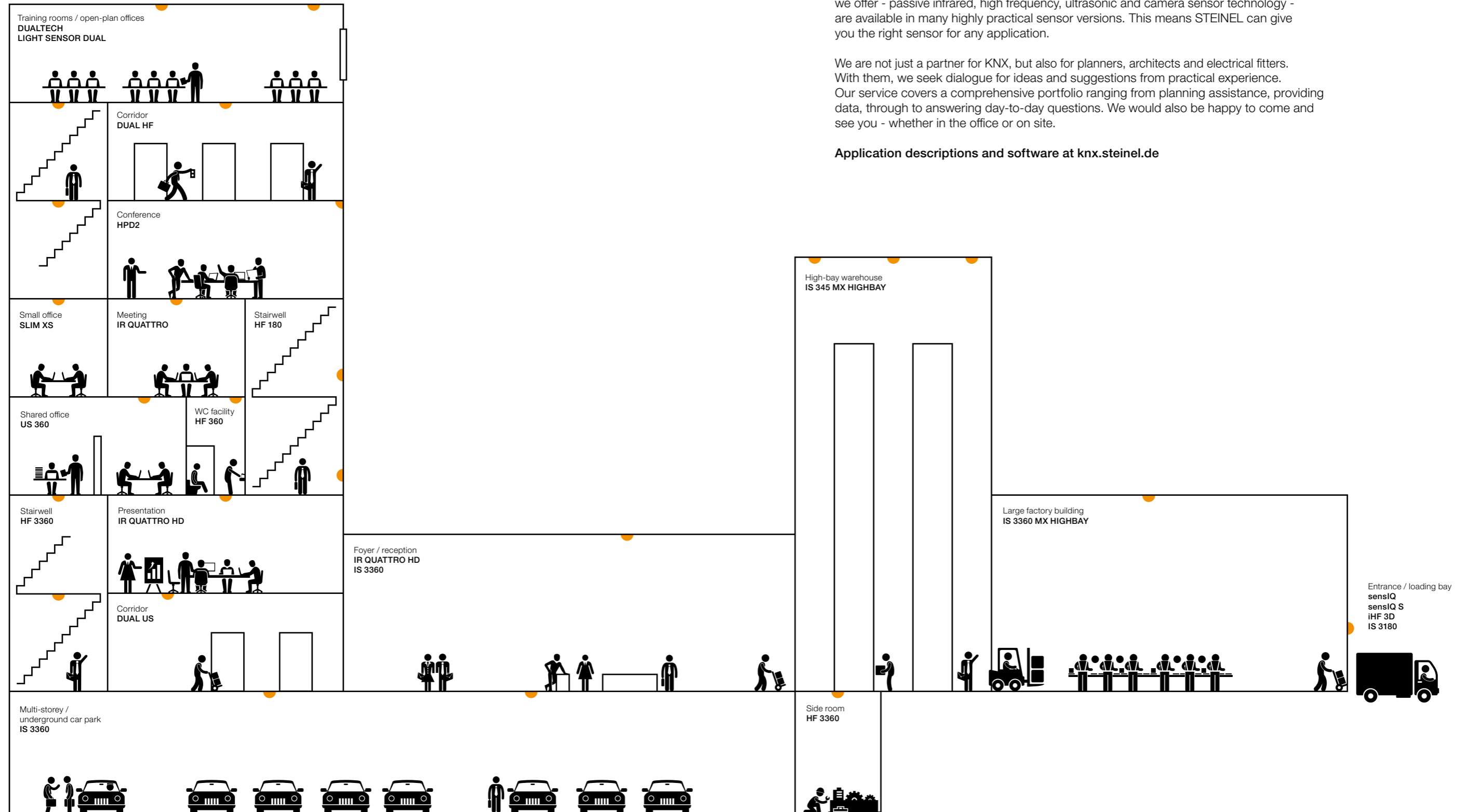


2 detectors linked with an external stairwell lighting timer  
Old building / building modernisation



Detector connected to stairwell lighting timer





**The right KNX sensor for any application.**

The language of home and building automation is KNX. There are millions of successful KNX installations across Europe and worldwide. With the largest sensor programme worldwide, STEINEL provides the "sensory organs" for KNX. The sensor technologies we offer - passive infrared, high frequency, ultrasonic and camera sensor technology - are available in many highly practical sensor versions. This means STEINEL can give you the right sensor for any application.

We are not just a partner for KNX, but also for planners, architects and electrical fitters. With them, we seek dialogue for ideas and suggestions from practical experience. Our service covers a comprehensive portfolio ranging from planning assistance, providing data, through to answering day-to-day questions. We would also be happy to come and see you - whether in the office or on site.

Application descriptions and software at [knx.steinel.de](http://knx.steinel.de)

## Smart Remote

### One for all.

#### The Smart Remote and an app puts you in control of everything.

STEINEL sensors and sensor-switched lights are very easy to control via remote control and the associated app. For this, a smartphone or tablet is placed on the Smart Remote and connected via Bluetooth. An infrared interface permits communication with the sensors and lights. It doesn't get any smarter than that!



EAN Smart Remote ..... 4007841 009151  
 Dimensions (H x W x D) ..... 115 x 52 x 26 mm  
 Operating voltage ..... 2 batteries, type AAA



Download app



Connect Smart Remote via Bluetooth



Device is ready for use



**The Smart Remote replaces the following remote controls:** IR remote control RC1, RC2, RC3, RC4, RC5, RC6, RC7, RC8, RC9, RC10

**Products controllable via Smart Remote:**

**Presence detectors:** IR Quattro, IR Quattro HD, IR Quattro SLIM, IR Quattro SLIM XS, HF 360, Dual HF, US 360, Single US, Dual US, DualTech

**Presence switches:** IR 180, HF 180

**Motion detectors:** iHF 3D, sensIQ, sensIQ S, IS 3360, IS 3360 MX Highbay, IS 345, IS 345 MX Highbay, IS 3180, HF 3360

**Photo-cell controllers / light sensors:** NM 5000-3, Light Sensor Dual

**Indoor sensor-switched lights:** RS PRO 5000, RS PRO 5002, RS PRO 5100, RS PRO 5200, RS PRO 5500, RS PRO 5800 LED, RS PRO 5850 LED, RS PRO DL LED 15/20 W, RS PRO LED Q1, RS PRO LED S2, RS PRO LED S2 IP65

**Sensor-switched floodlights:** XLED PRO Square, XLED PRO Wide





# Accessories for Control Pro Presence Detector



### IR user remote control RC5

- Reset function via potentiometer and DIP settings
  - Installation function
  - Presentation mode
  - In DIM and DALI versions
  - Reduce, increase DIM level: output 1
  - Permanent OFF/ON: output 1/2 (4 hours)
  - In DALI versions
  - Reduce, increase DIM level: output 2
  - Save lighting scenario 1 (value for output 1/2 is saved)
  - Save lighting scenario 2 (value for output 1/2 is saved)
- EAN 4007841 592806



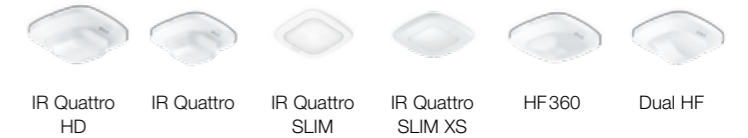
### IR service remote control RC8

- Stay-ON time, switching contact 1, light
  - Stay-ON time, switching contact 2 (HVAC)
  - Twilight setting
  - Basic brightness
  - Constant-lighting control
  - Teach IN
  - Automatic or manual mode
  - Reset function
- EAN 4007841 559410

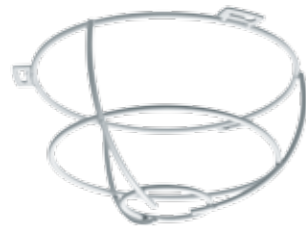


### Smart Remote

- Replaces all remote controls RC1-RC10
  - Intuitive app for setting STEINEL sensors and sensor-switched lights
- EAN 4007841 009151



		IR Quattro HD	IR Quattro	IR Quattro SLIM	IR Quattro SLIM XS	HF 360	Dual HF
Service remote control RC8	EAN 4007841 559410	•	•	•	•	•	•
User remote control RC5	EAN 4007841 592806	•	•	•	•	•	•
Smart Remote	EAN 4007841 009151	•	•	•	•	•	•
HF ceiling adapter	EAN 4007841 006600					•	•
Surface-mounting adapter AP Box	EAN 4007841 000363	•	•			•	•
Kaiser junction box for false ceilings	EAN 4007841 000370	•	•			•	•
Clamping-type ceiling adapter	EAN 4007841 002855	•	•			•	•
Guard cage	EAN 4007841 003036	•	•			•	•
EAN 6 m extension cable	4007841 006419			•			



### Guard cage

- It provides protection from against damage, e.g. caused by balls or vandalism.
- EAN 4007841 003036



### HF ceiling adapter for installation in suspended ceilings

- Concealed installation
  - Protected from vandalism
  - Without daylight calibration
- EAN 4007841 006600



		DualTech	US 360	Dual US	Single US
Service remote control RC8	EAN 4007841 559410	•	•	•	•
User remote control RC5	EAN 4007841 592806	•	•	•	•
Smart Remote	EAN 4007841 009151	•	•	•	•
Surface-mounting adapter AP Box	EAN 4007841 000363	•	•	•	•
Kaiser junction box for false ceilings	EAN 4007841 000370	•	•	•	•
Clamping-type ceiling adapter	EAN 4007841 002855	•	•	•	•
Guard cage	EAN 4007841 003036	•	•	•	•



### Surface-mounting adapter AP Box

- The Control PRO AP Box surface-mounting adapter is designed for making easy work of surface-mounting presence detectors. 4x cable entry and large terminal compartment make installation effortlessly easy. It provides protection rating to IP54 (not for ultrasonic or the DualTech).
- EAN 4007841 000363



### Adapter surrounds for IR/HF 180 presence switches

- Adapter surrounds for integrating STEINEL IR 180 and HF 180 presence switches in surrounds from switch manufacturers Busch-Jaeger, Jung and Feller
- Please refer to the adjacent table for the correct EAN.



		IR 180 UNIVERSAL	IR 180	HF 180
Service remote control RC8	EAN 4007841 559410		•	•
User remote control RC5	EAN 4007841 592806		•	•
Smart Remote	EAN 4007841 009151		•	•
Adapter for Busch-Jaeger, white	EAN 4007841 034139	•	•	•
Adapter for Busch-Jaeger, silver	EAN 4007841 034146	•	•	•
Adapter for Jung, white	EAN 4007841 034184	•	•	•
Adapter for Jung, silver	EAN 4007841 034177	•	•	•
Adapter for Feller, white	EAN 4007841 034160	•	•	•
Adapter for Feller, silver	EAN 4007841 034153	•	•	•

# Accessories for KNX Presence Detectors



### IR service remote control RC6 KNX

- Reach setting HF
- Stay-ON time, switching contact 1, light
- Stay-ON time, switching contact 2 (HVAC)
- Twilight setting
- Reset function via potentiometer and DIP settings
- Reduce sensitivity (HF only, cf. RS PRO)
- Teach IN

EAN 4007841 593018



### IR user remote control RC7 KNX

- Reduce, increase DIM level: output 1
- Permanent OFF/ON, output 1 (4 hours)
- Reduce, increase DIM level: output 2
- Permanent OFF/ON, output 2 (4 hours)
- Save lighting scenario 1 (value for output 1/2 is saved)
- Save lighting scenario 2 (value for output 1/2 is saved)
- Reset function via potentiometer and DIP settings

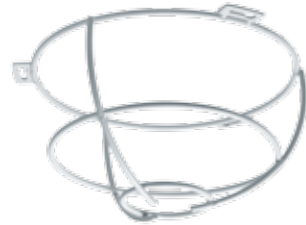
EAN 4007841 592912



### Smart Remote

- Replaces all remote controls RC1-RC10
- Intuitive app for setting STEINEL sensors and sensor-switched lights

EAN 4007841 009151



### Guard cage

- It provides protection against damage, for example, from balls or vandalism.

EAN 4007841 003036



### HF ceiling adapter for installation in suspended ceilings

- Concealed installation
- Protected from vandalism
- Without daylight calibration

EAN 4007841 006600



### Surface-mounting adapter AP Box KNX

- The surface-mounting adapter also features 4x cable entry and a large terminal compartment, and is suitable for surface-mounting the KNX connecting options

EAN 4007841 003029



### Adapter surround for IR/HF 180 presence switches

- Adapter surrounds for integrating STEINEL IR 180 and HF 180 presence switches in surrounds from switch manufacturers Busch-Jaeger, Jung and Feller

Please refer to the adjacent table for the corresponding EAN.



		IR Quattro HD KNX	IR Quattro KNX	IR Quattro SLIM KNX	IR Quattro SLIM XS KNX	HF 360 KNX	Dual HF KNX
Service remote control RC6 KNX	EAN 4007841 593018	•	•	•	•	•	•
User remote control RC7 KNX	EAN 4007841 592912	•	•	•	•	•	•
Smart Remote	EAN 4007841 009151	•	•	•	•	•	•
HF ceiling adapter	EAN 4007841 006600					•	•
Surface-mounting adapter AP Box KNX	EAN 4007841 003029	•	•			•	•
Kaiser junction box for false ceilings	EAN 4007841 000370	•	•			•	•
Clamping-type ceiling adapter	EAN 4007841 002855	•	•			•	•
Guard cage	EAN 4007841 003036	•	•			•	•
6 m extension cable	EAN 4007841 006419			•			



		DualTech KNX	US 360 KNX	Dual US KNX	Single US KNX
Service remote control RC6 KNX	EAN 4007841 593018	•	•	•	•
User remote control RC7 KNX	EAN 4007841 592912	•	•	•	•
Smart Remote	EAN 4007841 009151	•	•	•	•
Surface-mounting adapter AP Box KNX	EAN 4007841 003029	•	•	•	•
Kaiser junction box for false ceilings	EAN 4007841 000370	•	•	•	•
Clamping-type ceiling adapter	EAN 4007841 002855	•	•	•	•



		IR 180 UNIVERSAL KNX	IR 180 KNX	HF 180 KNX
Service remote control RC6 KNX	EAN 4007841 593018		•	•
User remote control RC7 KNX	EAN 4007841 592912		•	•
Smart Remote	EAN 4007841 009151		•	•
Adapter for Busch-Jaeger, white	EAN 4007841 034139	•	•	•
Adapter for Busch-Jaeger, silver	EAN 4007841 034146	•	•	•
Adapter for Jung, white	EAN 4007841 034184	•	•	•
Adapter for Jung, silver	EAN 4007841 034177	•	•	•
Adapter for Feller, white	EAN 4007841 034160	•	•	•
Adapter for Feller, silver	EAN 4007841 034153	•	•	•

